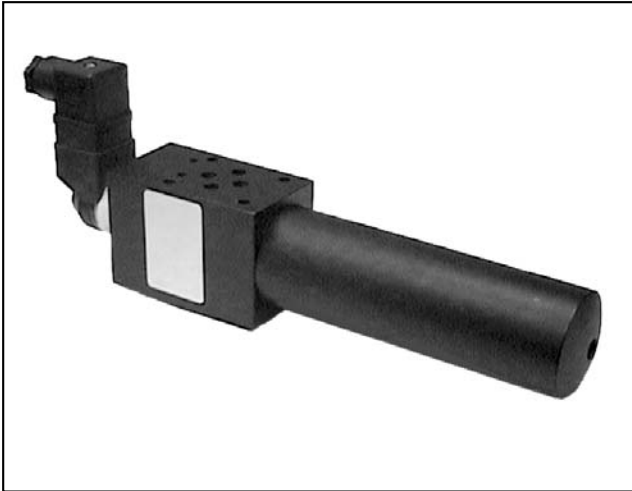


FPHM
Stack Filter
SERIES 10



MODULAR VERSION

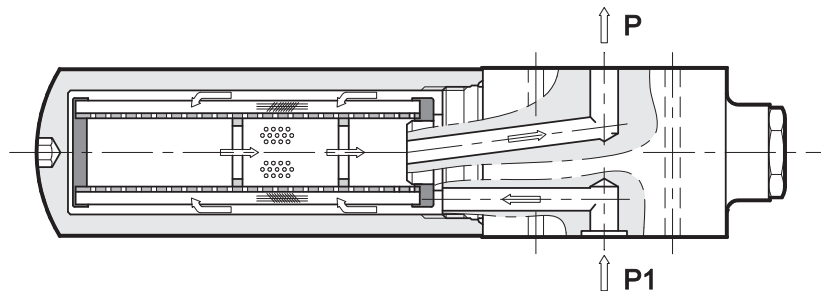
p max **320** bar
Q max (see table of performances)

OPERATING PRINCIPLE

- The FPHM filters are designed for the modular mounting directly under proportional valves or servovalves with ISO 4401 (CETOP RP 121H) interfaces.
- They are available in two nominal dimensions with ISO 4401-03 (CETOP 03) e ISO 4401-05 (CETOP 05) mounting surface.
- FPHM filters are designed for working pressures up to 320 bar. The filter elements are made of high efficiency filtering materials and are available with three different filtration degrees and with a collapsing differential pressure = 210 bar:

- F05 = 5 µm absolute
($\beta_{10} > 100$ - ISO 4406:1999 class 17/15/12)
- F10 = 10 µm absolute
($\beta_{10} > 100$ - ISO 4406:1999 class 18/16/13)
- F25 = 25 µm absolute
($\beta_{25} > 100$ - ISO 4406:1999 class 19/17/14)

- All the FPHM filters are supplied without by-pass valve and are designed to incorporate a visual-differential or a visual-electric clogging indicator to be ordered separately (see paragraph 5).



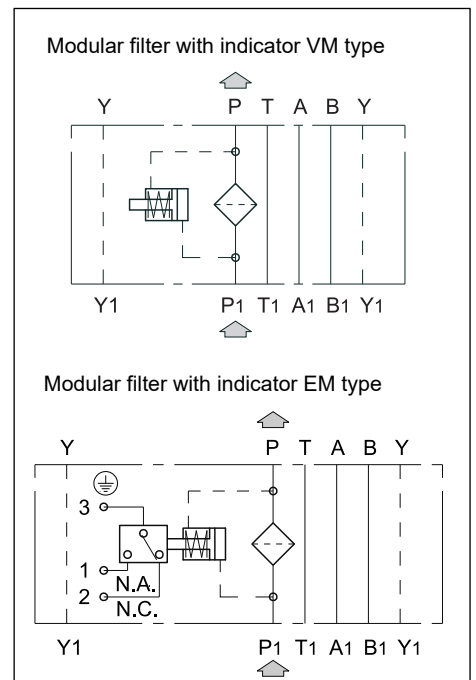
PERFORMANCES

Filter	Dimensions	Mass [Kg]	Rated flow (indicative) [l/min]		
			F05	F10	F25
FPHM3	ISO 4401-03	2,5	12	13,5	16
FPHM5	ISO 4401-05	4,2	22	25	28

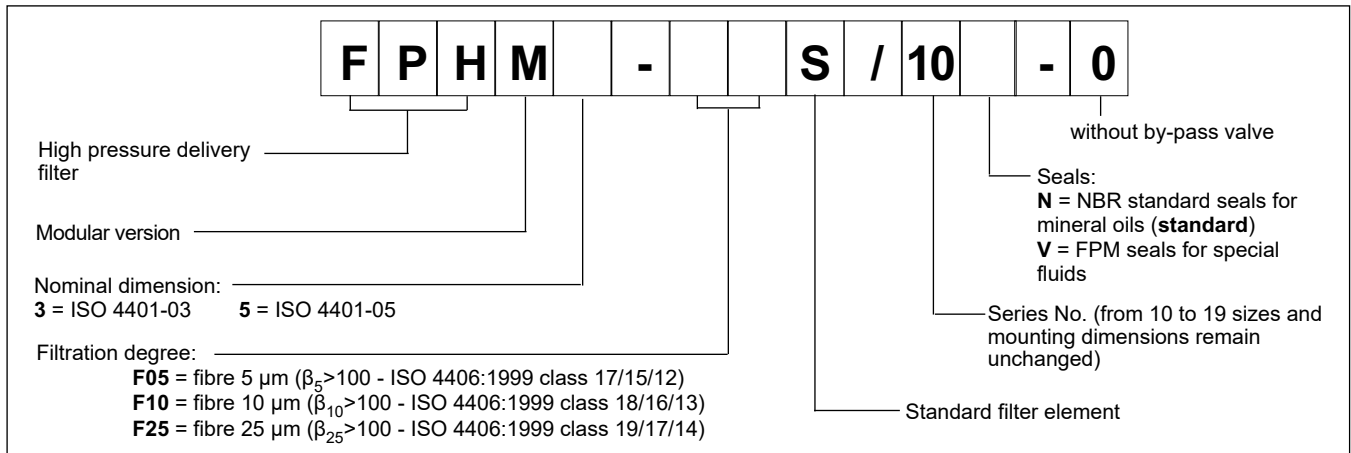
NOTE 1: The flow rates stated in the table correspond to a 3 bar pressure drop measured with mineral oil of viscosity 36 cSt at 50°C.
As for a different viscosity range, see NOTE 2 - par. 2.2.

Maximum operating pressure	bar	320
Collapsing differential pressure of the filter element	bar	210
Ambient temperature range	°C	-25 / +50
Fluid temperature range	°C	-25 / +110
Fluid viscosity range	cSt	10 ÷ 400

HYDRAULIC SYMBOL

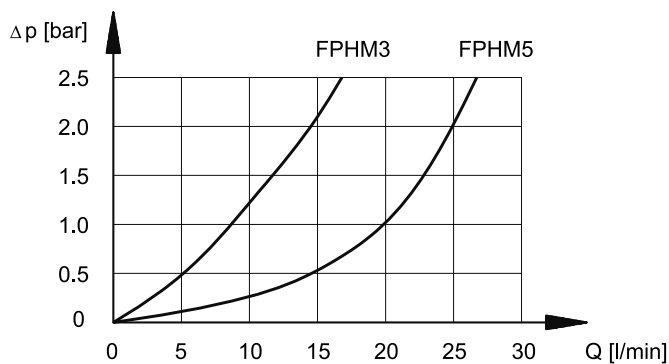


1 - IDENTIFICATION CODE

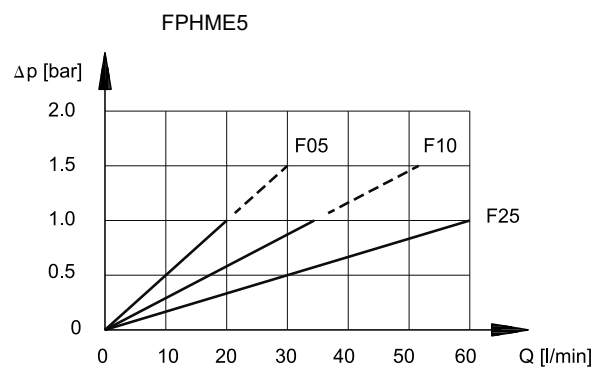
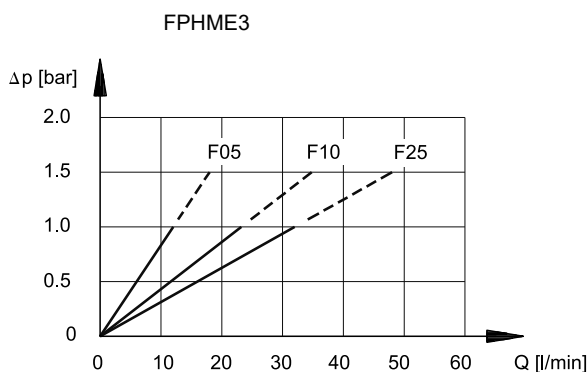


2 - CHARACTERISTIC CURVES (values measured with viscosity of 36 cSt at 50°C)

2.1 - Pressure drops through the filter body



2.2 - Pressure drops through FPHME filter element



NOTE 2: The filter size has to be selected so that with the nominal flow rate the pressure drop is lower than 0.8 bar.

The total pressure drop through the filter is given by adding the body pressure drop values to those of the filter element. As for fluids whose viscosity degree at a specific operating pressure is different from 36 cSt, the filter total pressure drop has to be changed according to the following ratio:

$$\text{total } \Delta p \text{ value} = \text{body } \Delta p \text{ value} + (\text{real } \Delta p \text{ value of the filter element} \times \text{real viscosity value (cSt)} / 36)$$

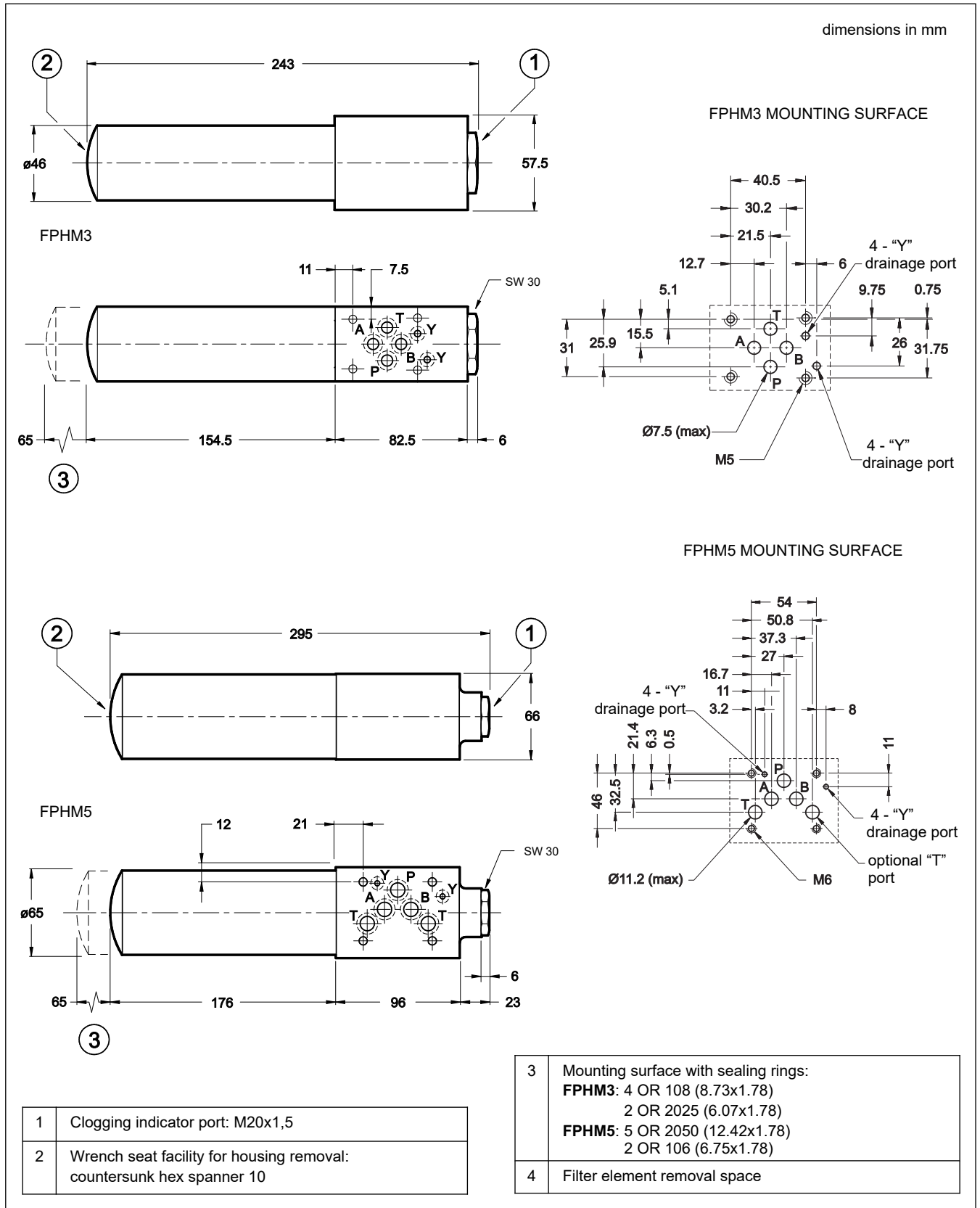
$$\text{real } \Delta p \text{ value of the filter element} = \text{value obtainable through the diagrams in par. 2.2}$$

Such ratio is valid for a viscosity value up to 200 cSt. For a higher viscosity please consult our technical department.

3 - HYDRAULIC FLUIDS

Use mineral oil-based hydraulic fluids HL or HM type, according to ISO 6743-4. For these fluids, use NBR seals. For fluids HFDR type (phosphate esters) use FPM seals (code V). For the use of other kinds of fluid such as HFA, HFB, HFC, please consult our technical department. Using fluids at temperatures higher than 80 °C causes a faster degradation of the fluid and of the seals characteristics. The fluid must be preserved in its physical and chemical characteristics.

4 - OVERALL AND MOUNTING DIMENSIONS

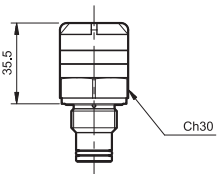


5 - CLOGGING INDICATORS

The filters are all designed to incorporate clogging indicators, which have to be ordered separately.

5.1 - Visual indicator for modular filters

Identification code: VM/10



This indicator measures the differential pressure between the filter input and output.

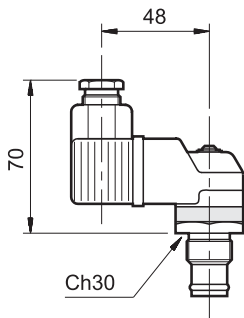
The indicator is supplied with coloured bands, which informs you about the clogging condition of the filter element:

WHITE: efficient filter element $\Delta p < 8 \text{ bar}$ ($\pm 10\%$)

RED: the filter element has to be replaced $\Delta p > 8 \text{ bar}$ ($\pm 10\%$)

5.2 - Electric-visual indicator for modular filters

Identification code: EM/10



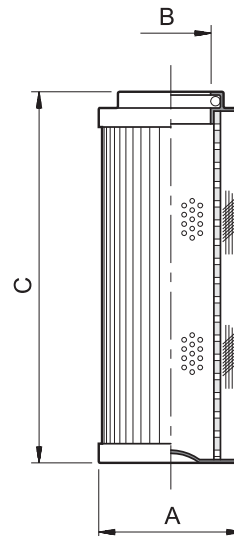
This indicator, apart from giving a visual indication, for example the VPM model, operates by switching an electric contact when the filter element has reached the clogging limit.

The contact can be wired in an open or closed condition (see the hydraulic symbol).

TECHNICAL SPECIFICATIONS

Differential operating pressure	bar	8
AC power supply		
Max. operating voltage	VAC	250 50/60 Hz
Max. load on the contacts (inductive or resistive)	A	5
DC power supply		
Max. operating voltage	VDC	125
Max. load on the contacts (with V at 30-50-75-125 VDC)	A	2 - 0,5 - 0,25 - 0,2 2 - 0,5 - 0,25 - 0,03
Electric connector	DIN 43650	
Class of protection according to CEI EN 60529 (atmospheric agents)	IP65	

6 - FILTER ELEMENTS



filter element code	ØA	ØB	C	Average filtering surface [cm ²]
FPHME3	33	16	100	270
FPHME5	45	25	115	475

FILTER ELEMENTS IDENTIFICATION CODE



Filter element for FPHM modular filter

Nominal dimension:
3 = ISO 4401-03
5 = ISO 4401-05

Filtration degree : **F05** = fibre 5 µm
F10 = fibre 10 µm
F25 = fibre 25 µm

Standard filter element

Series No. (from 10 to 19 sizes and mounting dimensions remain unchanged)

N = NBR seals for mineral oils (**standard**)
V = FPM seals for special fluids (upon request)



Continental Hydraulics, Inc.
5505 West 123rd St., Savage, MN 55378
Tel. 952-895-6400
Fax 952-895-6444
www.continentalhydraulics.com